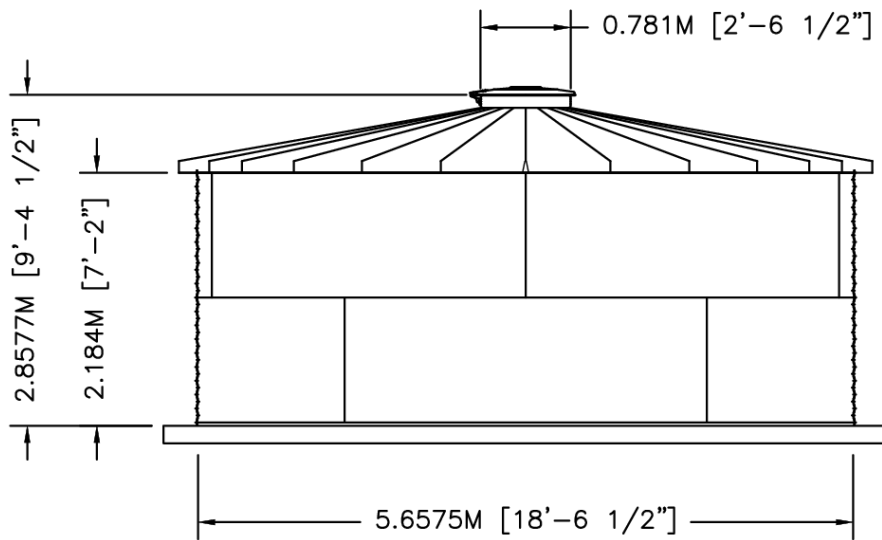


PLAN



ELEVATION



	BY	DATE	TITLE	
DWN	XXX	XX/XX/XX	WTU06-02 30"PR 10DEG V-RIB	
CKD			NOMINAL CAPACITY - 51.720 M3 [13,663 GAL]	
ENG			DWG. NO.	REV. NO.
			SCT1802-LVR WTU06-02	
			SIZE:	SCALE:
			A	3/16"=1'-0"
			SHEET	OF
			1	1